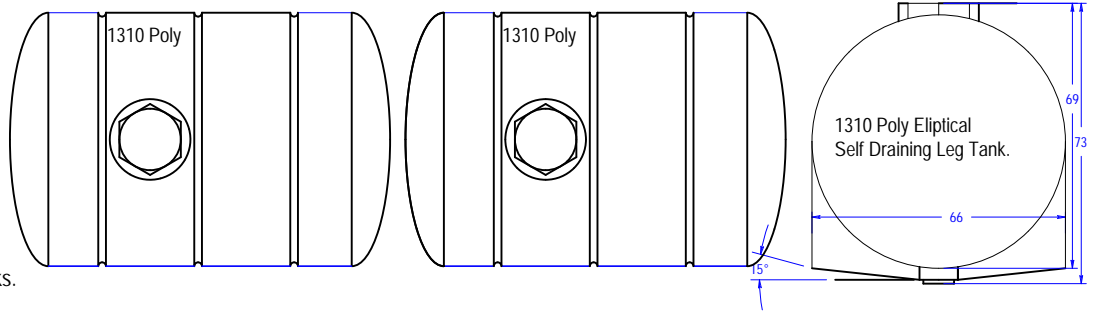


Ken Dechant.  
 Manning, Alberta.  
 Drawing LL Dechant 8  
 Track Cart, 60 inch bulkhead considered.  
 Oscillation at 8 degrees.  
 Ground contour rolls and belts circumferential.  
 Nov. 26, 10  
 4,000 gallons NH3, 2,600 APPATS  
 70,000 pounds full load.

36 inch belts. 8,362 sq. in.

Qty. 4, 100 gallon rinse tanks...mounted with NH3 tanks.



4,176 Sq. in. track floatation.

